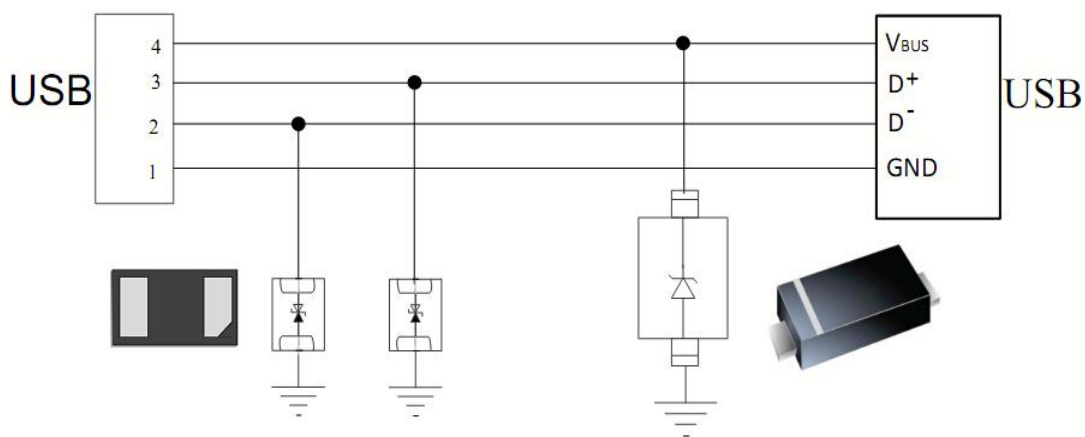
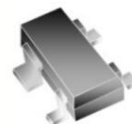


Part Number	Vrwm (V)	Cj(I/O-GND) @0V,1MHZ(PF)	Vc@Ipp @8/2s(V)	Package	ESD (contact)
CST143A053U	5	0.5	4	SOT143	8KV
CST143A053L	5	2.5	15	SOT143	20KV





Part Number	Vrwm (V)	Cj(I/O-GND) @0V,1MHZ(PF)	Vc@Ipp @8/2s(V)	Package	ESD (contact)	应用信号
CSD3C051V	5	0.5	20	SOD323	30KV	Vbus
CSD5C051V40	5	34	18	SOD523	30KV	Vbus
CDFN2C051V40	5	34	18	DFN1006	30KV	Vbus
CSD3C031L	5	1.2	21	SOD323	30KV	D+/D-
CSD5C051L	5	2.5	3	SOD523	11KV	D+/D-
CDFN2C051L	5	2.5	3	DFN1006	11KV	D+/D-